

|||||
newWORLD®



INSTRUCTION MANUAL

UNDER COUNTER LARDER

NW55UCL

Welcome

Dear users, this manual contains the product's basic knowledge, how to use it, fault diagnosis and basic troubleshooting methods. In order to better understand and use this product, please take good care of this manual and read it carefully.

Help and Guidance

We're here to help you get the most from your Under Counter Larder. Should you require any guidance, a simple solution can often be found online at:

www.newworldassist.co.uk

If you still require further assistance, call one of our experts on 0333 3052263.

If you require any technical guidance or find that your product is not operating as intended, a simple solution can often be found in the Troubleshooting section of these instructions, or online at www.newworldassist.co.uk If you still require further assistance, call one of our experts on 0333 3052263.

Contents

I.	Safety Instructions	4
II.	Product Features*	8
III.	Installation Instructions	9
IV.	Starting your Fridge & Storage	10
V.	Troubleshooting and Maintenance	13
VI.	Certifications	16
VII.	Product Support	17
VIII.	Guarantee	18

* Varying with Different Products

I. Safety Instructions



WARNING: It is hazardous for anyone other than authorised service personnel to carry out servicing or repairs which involves the removal of covers. To avoid the risk of an electric shock, do not attempt to repair this appliance yourself.



WARNING: Risk of fire / flammable materials.

Safety Warnings and Information

WARNING: Do not use electrical appliances such as a hair dryer or heater to defrost your Freezer.

WARNING: Containers with flammable gases or liquids can leak at low temperatures.

WARNING: Do not store any containers with flammable materials, such as spray cans, fire extinguisher, refill cartridges etc. in the Freezer.

WARNING: Do not place carbonated or fizzy drinks in the Freezer compartment. Ice lollies can cause "Frost/Freeze burns" if consumed straight from the Freezer.

WARNING: Do not remove items from the Freezer compartment if your hands are damp/wet, as this could cause skin abrasions or "Frost/Freezer burns". Bottles and cans must not be placed in the Freezer compartment as they can burst when the contents freeze.

WARNING: Manufacturer's recommended storage times should be adhered to. Refer to relevant instructions.

WARNING: Do not allow children to tamper with the controls or play with the appliance.

IMPORTANT: The appliance is heavy. Care should be taken when moving it. It is dangerous to alter the specification or attempt to modify this product in any way.

WARNING: Do not store flammable gases or liquids inside your Freezer.

IMPORTANT: If the power cable is damaged, it must be replaced by the manufacturer, its service agent or similarly qualified persons in order to avoid a hazard.

WARNING: This appliance can be used by children aged from 8 years and above and persons with reduced physical, sensory or mental capabilities or lack of experience and knowledge, if they have been given supervision or instruction concerning use of the appliance in a safe way and understand the hazards involved. Children shall not play with the appliance. Cleaning and user maintenance shall not be made by children without supervision.

IMPORTANT: This appliance is intended to be used in household and similar applications such as

- staff kitchen areas in shops, offices and other working environments,
- farm houses and by clients in hotels, motels and other residential type environments,
- bed and breakfast type environments,
- catering and similar non-retail applications.

- Do not store explosive substances such as aerosol cans with a flammable propellant in this appliance.
- This appliance is not intended for use by persons (including children) with reduced physical, sensory or mental capabilities, or lack of experience and knowledge, unless they have been given supervision or instruction concerning use of the appliance by a person responsible for their safety. Children should be supervised to ensure that they do not play with the appliance.

IMPORTANT: Keep ventilation openings in the appliance enclosure or in the built-in structure, clear of obstruction.

WARNING: Do not use mechanical devices or other means to accelerate the defrosting process, other than those recommended by the manufacturer.

WARNING: Do not damage the refrigerant circuit.

WARNING: Do not use electrical appliances inside the food storage compartments of the appliance, unless they are of the type recommended by the manufacturer.

WARNING: Refrigerating appliances, in particular a refrigerator-freezer, might not operate consistently (possibility of defrosting of contents or temperature becoming too warm in the frozen food compartment), when appliance is running for an extended period of time, below the cold end of the range of temperatures for which the refrigerating appliance is designed.

WARNING: It is necessary that, for doors or lids fitted with locks and keys, the keys be kept out of the reach of children and not in the vicinity of the refrigerating appliance, in order to prevent children from being locked inside.

WARNING: The refrigerant used in your appliance and insulation materials requires special disposal procedures.

WARNING: When positioning the appliance, ensure the supply cord is not trapped or damaged.

WARNING: Do not locate multiple portable socket-outlets or portable power supplies at the rear of the appliance

Children aged from 3 to 8 years are allowed to load and unload refrigerating appliances.




To avoid contamination of food, please adhere to the following instructions:

- Opening the door for long periods can cause a significant increase of the temperature in the compartments of the appliance.
- Clean regularly surfaces that can come in contact with food and have accessible drainage systems.
- If the refrigerating appliance is left empty for long periods of time, switch off, defrost, clean, dry, and leave the door open to prevent mould developing within the appliance.

Electrical Supply Connection

- Connect the appliance to the electrical supply (220-240 V ~ 50 Hz) with the plug and lead, which are fitted.
- Connections to the mains supply should be in accordance with local regulations.
- DO NOT use plug adapter.
- The appliance must be plugged into an earthed socket
- Always make sure that the plug is accessible after the appliance has been positioned.
- If the electrical cable is damaged or worn, turn off the refrigerator and consult an authorised agent for replacement.

Electrical Safety

- ⚡  **WARNING:** When positioning the appliance, ensure the supply cord is not trapped or damaged.
 - ⚡  **WARNING:** DO NOT locate multiple portable socket outlets or portable power supplies at the rear of the appliance
DO NOT use plug adapter.
 - ⚡  **WARNING:** Risk of fire / flammable materials
- The plug must be accessible after installation.
 - The operating voltage for your appliance is 220-240 V at 50Hz.
 - Insert the plug into a socket with an efficient ground connection. If the socket has no ground contact or the plug does not match, we recommend you consult a qualified electrician for assistance.
 - The appliance must be connected with a properly installed fused socket. The power supply (AC) and voltage at the operating point must match with the details on the name plate of the appliance (the name plate is located on the inside left of the appliance).
 - The plug **MUST** be accessible after the appliance has been positioned. The cord should be secured and not left exposed or dangling to prevent accidental injury.
 - The appliance is supplied with a standard three-pin plug, of which the one for grounding should never be removed.
 - Hold the plug, not the electrical cable, when unplugging the appliance.
 - Make sure that the appliance does not trap the electric cable.
 - DO NOT step on the cable.
 - Avoid damage to the electric cable when moving the appliance.
 - This refrigerator appliance is not designed to be used with an inverter.

DO NOT use an extension cord with this appliance. If the power cord is too short, have a qualified electrician or service technician install an outlet near the appliance. Use of an extension cord can negatively affect the performance of the unit.

WARNING: Improper use of the grounded plug can result in the risk of electrical shock. If the power cord is damaged, have it replaced by an authorised service provider.

Climate Range

The information about the climate range of the appliance is provided on the rated plate. It indicates at which ambient temperature (that is, the room temperature in which the appliance is working) the operation of the appliance is optimal (proper).

Climate range	Permissible ambient temperature
SN	from +10°C to +32°C
N	from +16°C to +32°C
ST	from +16°C to +38°C
T	from +16°C to +43°C

Note: Given the limit values of the ambient temperature range for the climate classes for which the refrigerating appliance is designed, and the fact that the internal temperatures could be affected by such factors as location of the refrigerating appliance, ambient temperature and the frequency of door opening, the setting of any temperature control device might have to be varied to allow for these factors, if appropriate.

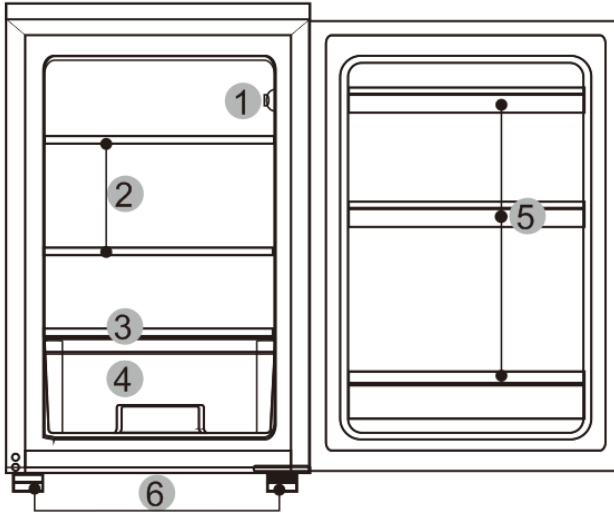
Freon-free

The freon-free refrigerant (R600a) and the foaming insulation material (cyclopentane) are used for this refrigerator and are environmentally friendly, causing no damage to the ozone layer and having very small impact on global warming. R600a is flammable, and sealed in a refrigeration system, without leakage during normal use. In the case of refrigerant leakage due to the refrigerant circuit being damaged, be sure to keep the appliance away from open flames and open the windows for ventilation as quickly as possible.

II. Product Features

Under Counter Larder Diagram

Note: Due to technological innovation, the product descriptions in this manual may not be completely consistent with your refrigerator. Details are in accordance with the real product.



No.	Description
1	Thermostat
2	Refrigerator Shelf
3	Salad Crisper Cover
4	Salad Crisper
5	Bottle Rack
6	Adjustable Foot

III. Installation Instructions

Location

- When selecting a position for your Fridge you should make sure the floor is flat and firm, and the room is well ventilated with an average room temperature of between 16°C and 38°C.
- Avoid locating your Fridge near a heat source, eg, cooker, boiler or radiator. Also avoid direct sunlight in out-buildings or sun lounges. If you are placing your Fridge in an out-building such as a garage or annex ensure that the Fridge is placed above the damp course, otherwise condensation will occur on the Fridge cabinet.
- Never place the Fridge in a wall recessed or into fitted cabinets or furniture when your Fridge is working, the grills at the back may become hot and the sides warm. It must therefore be installed so that the back of the Fridge has at least 9 cm (3 1/2") of free space and the sides have 2 cm (3/4").
- Do not drape the Fridge with any covering.

Leveling the Fridge

- If the Fridge is not level, the door and magnetic seal alignment will be affected and may cause you Fridge to work incorrectly. Once the Fridge is placed in its final location, adjust the leveling feet at the front by turning them until you have a leveled appliance.

Cleaning before use

- Wipe the inside of the Fridge with a weak solution of bicarbonate of soda. Then rinse with warm water using a damp sponge or cloth. Wash the baskets or shelves in warm soapy water and dry completely before replacing in the Fridge. The external parts of the Fridge can be cleaned with wax polish.

Before plugging in

- **IMPORTANT:** Check that you have a socket which is compatible with the plug supplied with the Fridge.

Before switching on

- **IMPORTANT:** After the refrigerator is properly installed and well cleaned, do not switch it on immediately. Make sure you allow a minimum of 4 hours before turning on the power of the refrigerator. The coolant fluid needs time to settle. If the appliance is switched off at any time, wait 30 minutes before switching back on to allow the coolant fluid to settle

Before filling your Fridge

- Before storing foods in your Fridge, turn the Fridge on and wait for 24 hours to make sure it is working properly and to allow the Fridge to reach the desired temperature.

IV. Starting your Fridge

1. Clean the parts of the refrigerator with lukewarm clean water containing a neutral detergent, then wipe them dry.
NOTE: Electric parts of the refrigerator can only be wiped by a dry cloth.
2. Turn the thermostat knob to the "3" position, then turn on electricity. The compressor and the light inside the refrigerator will begin to work.
3. Open the door 30 minutes later, if the temperature in the refrigerator decreased obviously, it shows that the refrigerator system works well. When the refrigerator operates for a period of time, the temperature controller will automatically set the temperature based on the thermostat level selected.

Functions

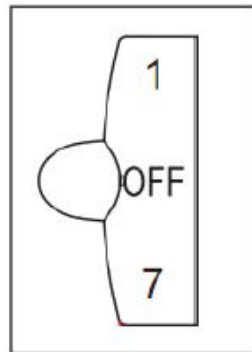
The Temperature of the refrigerator is controlled by the control panel mounted inside the fridge compartment.

Temperature Selection

The temperature of the appliance can be adjusted by turning the thermostat dial.

The thermostat can be set between 1 and 7

- 1 is the warmest setting
- 7 is the coldest setting
- The recommended setting is 4
- Set the dial to 0 to turn off the cooling function



NOTE: The Fridge/Freezer may not operate at the correct temperature if it is in a particularly hot or cold room or if you open the Fridge/Freezer door too often

Storage of Food

- After the refrigerator runs for a period of time, the internal temperature of the refrigerator will be automatically controlled according to the user's temperature setting. After the refrigerator is fully cooled, put in foods, which usually need 2~3 hours to be fully cooled. In summer, when the temperature is high, it takes more than 4 hours for the foods to be fully cooled (Try to open the refrigerator door as less as possible before the internal temperature cools down).

Placement of Food

- Ensure that food is spaced out and not crowded in the fridge to ensure that the cold air can pass around it.
- Food to be stored should be wrapped with clean plastic film or fresh keeping paper, then distributed to areas of the fridge to avoid contamination and smell mixtures.
- Cool hot food down to the room temperature before storing or consumption of electricity will increase and would lead to frost forming inside.

TIPS FOR FOOD STORAGE

1. The external room temperature should be between 16°C and 38°C.
2. Internal temperatures could be affected by such factors as the location of the refrigerating appliance, ambient temperature and the frequency of door opening. Therefore temperature controls will need to be varied to allow for these factors.
3. Effervescent drinks should not be stored in food freezer.
4. Some products such as water ices should not be consumed straight from freezer box as it could cause frost bite.
5. Store foods in the fridge and ice box based on the food manufactures recommended storage time.
6. A rise in temperature of the frozen food during manual defrosting, maintenance or cleaning could shorten the storage life of your food.
7. In the event of an extended power outage or refrigerator not running effectively to temperature, take care that food does not spoil or food may have reduced its shelf life.
8. The door to the evaporator clearance can be used to store food.

- Take extra care with meat and fish: Cooked meats should always be stored on a shelf above raw meats to avoid bacterial transfer. Keep raw meats on a plate which is large enough to collect juices and cover it with cling film or foil.
- Leave space around food: This allows cold air to circulate around the Fridge, ensuring all parts of the Fridge are kept cool.
- Wrap up food: To prevent transfer of flavors and drying out, food should be separately packed or covered. Fruit and vegetables need not be wrapped.
- Pre-cooked food should be cooled properly: Allow pre-cooked food to cool down before placing in the Fridge. This will help to stop the internal temperature of the Fridge from rising.
- Shut the door: To prevent cold air escaping, try to limit the number of times you open the door. When returning from shopping, sort foods to be kept in your Fridge before opening the door. Only open the door to put food in or take it out.
- NOTE: Always wrap and store raw meat, poultry and fish on the lowest shelf at the bottom of the fridge. This will stop them dripping onto, or touching other foods.
- Do not store flammable gasses or liquids in the fridge.

Recommended storage periods

- For recommended food storage time, refer to the information given on your food packaging.

Cleaning inside the Fridge

- After defrosting you should clean the Fridge internally with a solution of bicarbonate of soda and water. Then rinse with warm water using a damp sponge or cloth and wipe dry. Wash any draws or baskets in warm soapy water and ensure they are completely dry before replacing in the Fridge.

Cleaning outside the Fridge

- Use standard non-abrasive detergent diluted in warm water to clean the Fridge exterior.
- The grill of the condenser at the back of the Fridge and the adjacent components can be vacuumed using a soft brush attachment.
- Do not use harsh cleaners, scouring pads or solvents to clean any part of the Fridge.

V. Troubleshooting and Maintenance

Troubleshooting

- If Power Cut?
 - > Do not open the Fridge door more than necessary.
- The Fridge is exceptionally cold?
 - You may have accidentally adjusted the thermostat control dial to a higher position.
- The Fridge is exceptionally warm?
 - The compressor may not be working. Turn the thermostat control dial to the maximum setting and wait a few minutes. If there is no humming noise, it is not working. Contact your after sales service provider.
- The Fridge is not working?
 - Check it is plugged in and switched on. Check that the fuse in the plug has not blown.
 - The Fridge should be placed in a well ventilated room with an ambient temperature of between 16°C and 38°C. Leave the Fridge for 30 minutes. If this doesn't resolve your problem, please contact your after sales service provider.
- Condensation appears on the outside of the Fridge?
 - This may be due to a change in the room temperature. Wipe off any residue moisture. If the problem continues contact your after sales service provider.
- Hearing noises such as Gurgling or Whooshing?
 - These noises are caused by the circulation of the refrigerant liquid in the cooling system. It has become more pronounced since the introduction of CFC free gases. This is not a fault and will not affect the performance of your Fridge.
- Hearing noises such as humming, purring or pulsating?
 - This is the compressor motor working, as it pumps the refrigerant around the system.

Moving the Fridge/Freezer

- Location
 - Do not place your Fridge/Freezer near a heat source, eg. Cooker, boiler or radiator. Also avoid direct sunlight in out-buildings or sun lounges.
- Leveling the Fridge/Freeze
 - Make sure the Fridge/Freezer is level. Use the rotating leveling feet at the front. If the Fridge/Freezer is not level, the doors and magnetic seal alignments will be affected and may cause your Fridge/Freezer to work incorrectly.
 - Do not turn on the Fridge/Freezer for 4 hours once it is stationary and in place for use.
 - After the Fridge/Freezer is in place it needs to be left for 4 hours. This allows time for the coolant to settle.
 - Don't cover or block the vents or grills of your appliance.

Vacation Time

- Turn off the refrigerator first and then unplug the unit from the wall outlet.
- Remove all the food.
- Clean the refrigerator.
- Leave the door open slightly to avoid possible formation of condensation, mould or odors.
- Use extreme caution in the case of children. The unit should not be accessible to child's play.
- Short vacations: Leave the refrigerator operating during vacations of less than three weeks.
- Long vacations: If the appliance will not be used for several months, remove all food and unplug the power cord. Clean and dry the interior thoroughly. To prevent odor and mold growth, leave the door open slightly.

How to Save Energy

1. Install the refrigerator in the coolest part of the room, out of direct sunlight and away from heating ducts or radiators. Do not place the refrigerator next to heat-producing appliances such as a cooker, oven or dishwasher.
2. The refrigerator door should remain open only as long as necessary.
3. Do not place hot food inside the refrigerator.
4. Organise the refrigerator to reduce door openings.
5. The refrigerator door should be properly closed to avoid increased energy consumption, and the formation of excess ice and / or condensation inside.
6. Constantly circulating cold air keeps the temperature consistent throughout the refrigerator. For this reason, it is important to properly distribute the food to facilitate the flow of air.
7. Cover foods and wipe containers dry before placing them in the refrigerator. This cuts down on moisture build-up inside the unit.
8. Do not overcrowd the refrigerator or block cold air vents. Doing so causes the refrigerator to run longer and use more energy. Shelves should not be lined with aluminum foil, wax paper or paper toweling. Liners interfere with cold air circulation, making the refrigerator less efficient, which could cause food spoilage.
9. During prolonged absences (example: vacations), it is advisable to disconnect the refrigerator, remove all the food, and clean it. The door should be left slightly open to avoid mould and unpleasant odors. This will not affect the refrigerator when it is reconnected.
10. During short absences (example: holidays), the refrigerator can remain on. However, remember that prolonged power outages may occur while you are gone.

Servicing

- This product should be serviced by an authorised engineer and only genuine spare parts should be used.
- Under no circumstances should you attempt to repair the appliance yourself.
- Repairs carried out by inexperienced persons may cause injury or serious malfunctioning.
- When the appliance is not in use for long period of time, disconnect from the electricity supply, empty all foods and clean the appliance, leaving the door ajar to prevent unpleasant smells.

Replacing the light bulb

1. Before carrying out the bulb replacement always press and turn the thermostat control to dial to position "OFF", then disconnecting the mains supply.
2. Hold and lift up the light bulb cover.
3. Remove the old bulb by unscrewing it in an anti-clockwise direction.
4. Replace with a new bulb (10W) by screwing it in a clockwise direction marking sure that it is secure in the bulb holder.
5. Refit the light cover and re-connect your Fridge/Freezer to the mains supply and switch on.

VI. Certifications

Electrical information

This electrical appliance must be grounded.

This product is equipped with a plug, which is suitable for all houses equipped with sockets meeting the current specifications.

If the fitted plug is not suitable for your socket outlets, it should be cut off and carefully disposed of by a qualified electrician. To avoid a possible shock hazard, do not insert the discarded plug into a socket.

This product complies the EEC directives.

VII. Product Support

Declaration of conformance to product standards

This appliance conforms to all relevant standards applicable to domestic appliances sold in the UK

Disposal



This appliance/fitting is marked A according to the European directive 2012/19/EU on Waste Electrical - and Electronic Equipment (WEEE). By ensuring this product is disposed of correctly, you will help prevent potential negative consequences for the environment and human health, which could otherwise be caused by inappropriate waste handling of this product.

The symbol on the product, or on the documents accompanying the product, the crossed out wheeled bin symbol, indicates that this appliance/fitting may not be treated as household waste. Instead it shall be handed over to the applicable collection point for the recycling of electrical and electronic equipment.

Disposal must be carried out in accordance with local environmental regulations for waste disposal.

For more detailed information about treatment, recovery and recycling of this product, please contact your local authority, your household waste disposal service or the retailer where you purchased the product.

Old fridges and freezers contain isolation material and refrigerant with CFC. Therefore, take care not to harm the environment when you are discarding your old fridges.

VIII. Guarantee

Activate your 24 month guarantee

Thank you for choosing New World. Your new product is guaranteed against faults and breakdowns for 24 months. Don't forget to register it with us today so we can provide you with our best possible after-sales service and useful updates.

www.newworldassist.co.uk

Or call 0333 3052263

Your New World Guarantee

This product is guaranteed for 24 months from the date of original purchase. Any defect that arises due to faulty materials or workmanship will be repaired free of charge (or if applicable the product will be replaced or the purchase price refunded) where possible during this period by the dealer from who you purchased the unit.

The guarantee is subject to the following provisions:

- The guarantee does not cover accidental damage, misuse, cabinet parts, knobs or consumable items.
- The product must be correctly installed and operated in accordance with the instructions contained in the manual.
- It must be used solely for domestic purposes. The guarantee will be rendered invalid if the product is re-sold or has been damaged by inexpert repair.
- Specifications are subject to change without notice.
- New World disclaim any liability for loss or damage arising from the breakdown of the product.
- This guarantee is in addition to and does not diminish your statutory or legal rights.

Important Data Protection Information

To find out how we use your data please refer to the guarantee registration material or visit www.newworldassist.co.uk

THIS PAGE IS INTENTIONALLY LEFT BLANK

